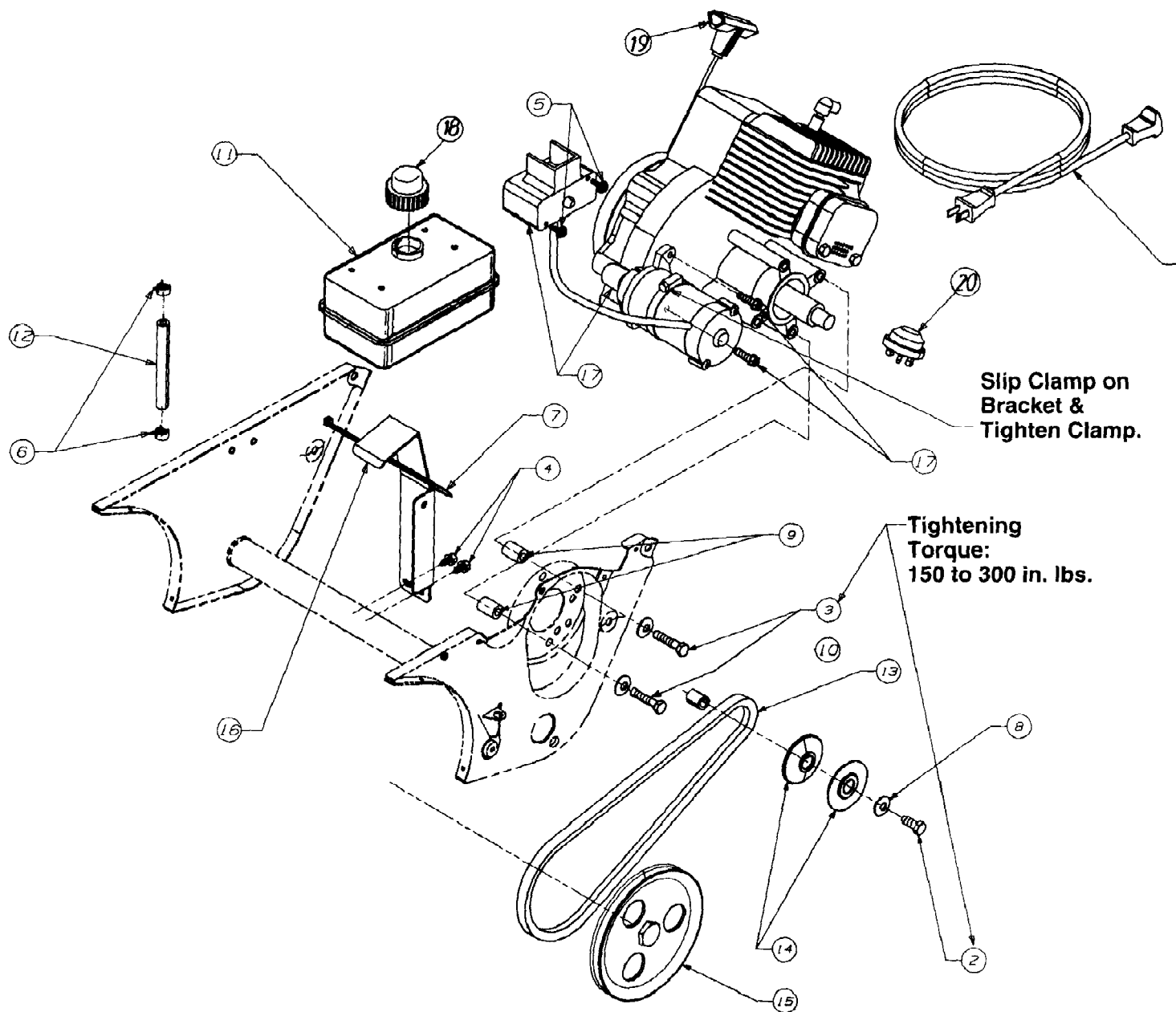


315E142-190 Snow Boss 35 (1995)
Chutes

Page 2 of 8

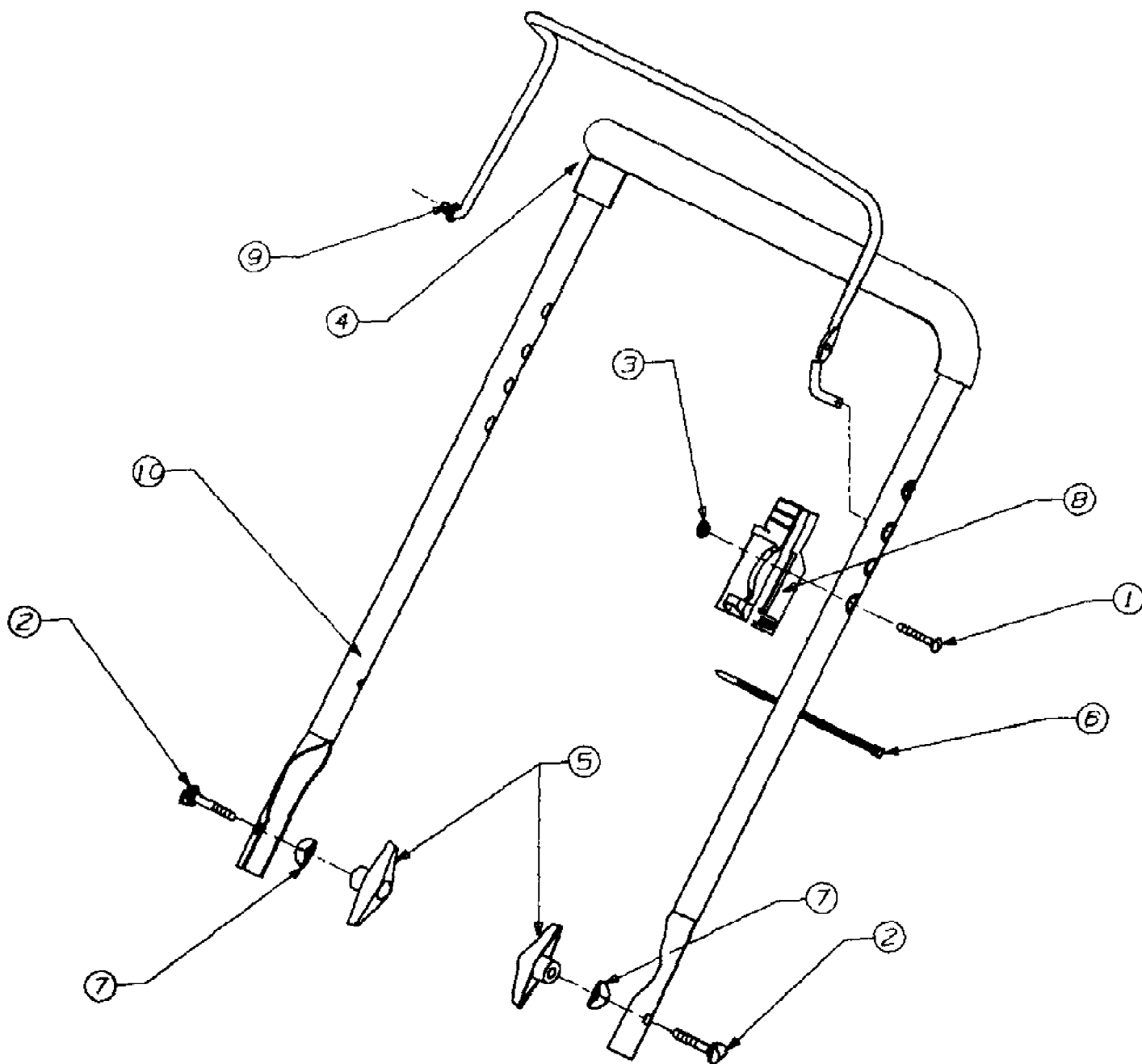
Ref #	Part Number	Qty	S/P/F	Description
1	710-0167	1	/P	Carriage Bolt
2	710-0276	1	/P	Carriage Bolt
3	710-0323	1	/P	Pan Head Screw
4	710-0451	1	/P	Carriage Bolt
5	710-0642	1	/P	Hex Washer Screw
6	710-1005	1	S	Hex Washer Screw
7	710-0773	1		Hex Washer Screw
8	710-0896	1	/P	Hex Washer Screw
9	710-3015	1	/P	Hex Cap Screw
10	711-0848A	1	S	Axle
11	712-0429	1	S	Hex Center Lock Nut
12	712-3010	1	S	Hex Nut
13	712-0116	1	S	Hex Lock Nut
14	712-3027	1	S	Hex Lock Flanged Nut
15	712-3027	1	S	Hex Lock Flanged Nut
16	720-0284	1	S	Knob
17	731-0851A	1	/P	Chute Keeper
18	731-0915B	1	S	Lower Chute
19	731-0921	1	S	Upper Chute
20	731-1033	1	/P	Shave Plate
21	732-0357A	1	S	Extension Spring
22	736-0108	1	S	Flat Washer
23	736-0119	1	S	Lock Washer
25	736-0176	1	S	Flat Washer
26	736-0159	1	S	Washer
27	736-0326	1	S	Flat Washer
28	736-0329	1	S	Lock Washer
30	741-0600	1	S	Ball Bearing
31	746-0910A	1	S	Cable-Clutch
32	748-0234	1	/P	Spacer
33	749-0796	1	S	Handle-Lower
34	756-0313	1	/P	Flat Idler
35	784-5174	1	S	Bearing Cup
36	784-5176	1		Cover-Belt
37	753-0712	1	S	Idler/Brake Bracket Service Kit; Replaces P/N 784-5180
38	753-0713	1		Blower Housing Service Kit; Replaces P/N 784-5325
39	784-5485	1	S	Auger Ass'y. Comp.
40	753-0613	1		Auger Rubber Replacement Kit
41	710-0352	1	/P	Hex Washer Screw
42	784-5720	1	S	Crank Bracket
?43	710-0451	1	/P	Cap Screw
44	736-0242	1	/P	Bell Washer
45	741-0475	1	S	Bushing
46	710-0191	1	/P	Hex Screw
	737-0133	1	S	Grease (Not Shown)
	734-1176	1		Wheel Ass'y (Not Shown)



315E142-190 Snow Boss 35 (1995)
Engine Support and Gas Tank

Page 4 of 8

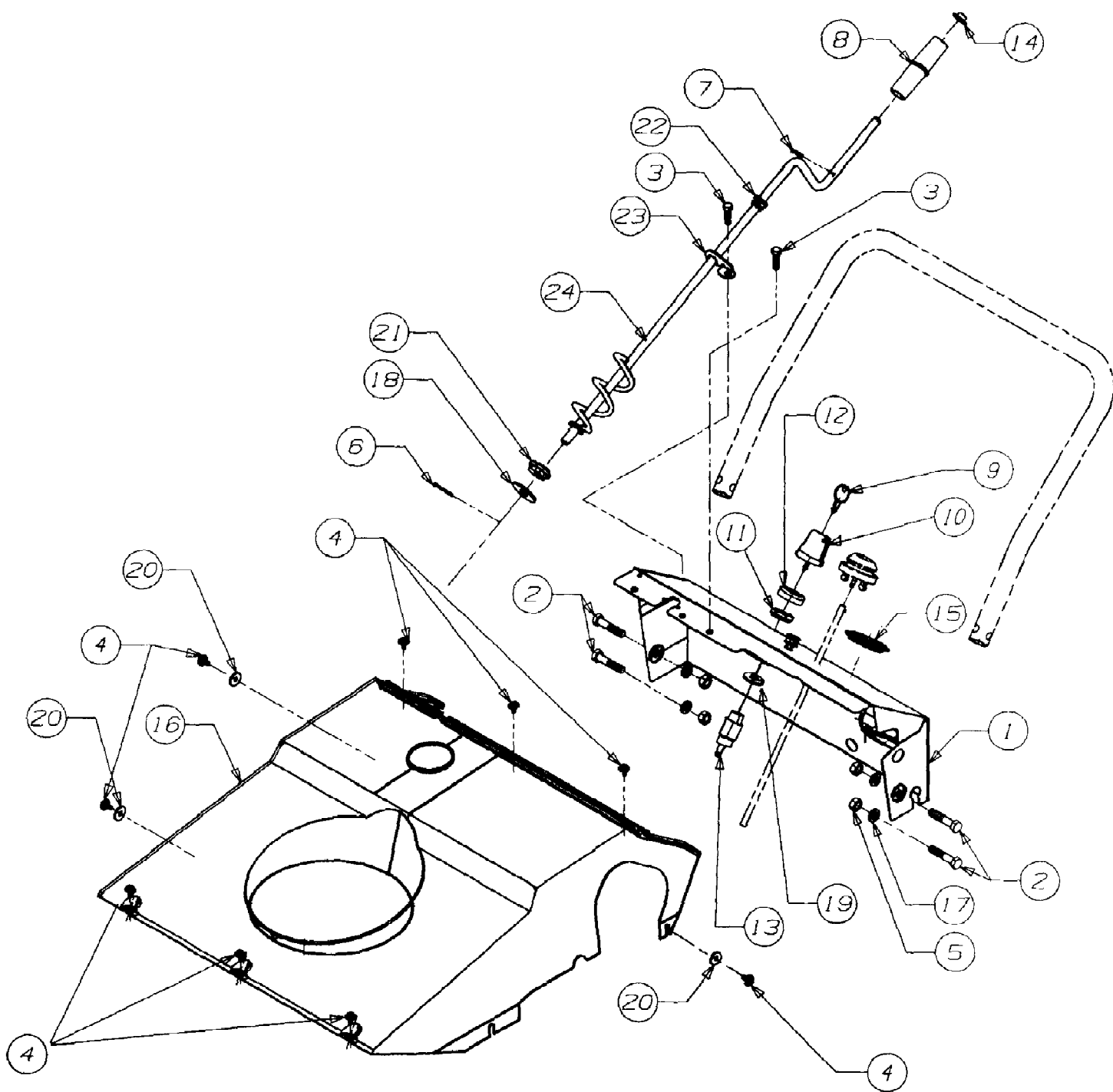
Ref #	Part Number	Qty	S/P/F	Description
?1	629-0236	1	/P	Cord, Extension 120V (E142 Only) Code: N notates a new part (not previously existing).
2	710-0157	1	/P	Screw, Hex Cap
3	710-0442	4	S	Screw, Hex Cap
4	710-0892	2	S	Screw, Hex Washer
5	710-1003	2	/P	Screw, Hex Self-Tapping (E142 Only)
6	726-0205	2	/P	Hose Clamp
7	726-0225	1		Cable Tie
8	736-0242	5	/P	Washer, Bell
9	750-0589	4	S	Spacer
10	750-0716	1		Spacer
11	751-0352	1	/P	Tank, Gas 1 Qt.
12	751-0535	1		Hose, Fuel Line .25 x 6"
13	754-0367	1	S	V - Belt
14	756-0416B	2	S	V - Pulley Half
15	756-0550	1		Pulley
16	784-5177	1	S	Engine Support Brkt.
17	8511133106	1		Starter (E142 Only) Code: N notates a new part (not previously existing).
18	7514B50126	1		Gas Cap Code: N notates a new part (not previously existing).
19	7519630	1	S	Handle, Recoil Code: N notates a new part (not previously existing).
20	7512B1476	1	S	Primer Code: N notates a new part (not previously existing).



315E142-190 Snow Boss 35 (1995)
Handle and Control Lever

Page 6 of 8

Ref #	Part Number	Qty	S/P/F	Description
1	710-0605	1	/P	Screw, Machine Oval Hd.
2	710-1174	2	/P	Bolt, Carriage 5/16-18 x 2"
3	712-0324	1	/P	Nut, Hex 1/4-20 Thd.
4	720-0226	1	S	Foam Grip Handle 22"
5	720-0284	2	S	Knob
6	725-0157	1	/P	Cable Tie
7	736-0451	2	S	Washer, Saddle
8	746-0875	1	S	Housing
9	747-0875	1		Lever, Control
10	749-0711A	1		Handle, Upper



315E142-190 Snow Boss 35 (1995)
Snow Boss

Page 8 of 8

Ref #	Part Number	Qty	S/P/F	Description
1	684-0056	1		Dash
2	710-0442	4	S	Scr., Hex Cap 5/16-18 x 1.50 Gr.
3	710-0895	2		Scr., Hex Hi-Low Scr. 1/4 x .75
4	710-1268	9	/P	Scr., Hex B-Tapp Wash. #10-16 x .38
5	712-0267	4	S	Nut, Hex 5/16-18 Gr. 2
6	714-0507	1	S	Pin, Cotter 3/32 x .75
7	715-0138	1	S	Roll Pin 1/8 O.D. x .63 Lg.
8	720-0201A	1	/P	Knob, Chute Crank
9	725-0201	1	S	Key, Ignition
10	725-1341B	1	/P	Key, Ignition W/O Logo
11	725-1346	1	S	Ignition Switch Nut 5/8-32
12	725-1347	1	/P	Ignition Switch Cap
13	725-1425	1	S	Switch, Key Recoil Start
14	726-0100	1	S	Cap, Push
15	731-0732	1	/P	Snap - In Plug (142 Only)
16	731-1553	1		Shroud
17	736-0119	4	S	L-Wash. 5/16 I.D.
18	736-0133	1	S	Wash., Flat 3/8 x 3.25 x .100
19	736-0225	1	/P	Intern. L-Wash. 5/8 x 1.058 x .046
20	736-0400	3	S	FI-Wash. .194 x .62 O.D. x .063
21	741-0403	1	/P	Hex Bushing
22	741-0475	1	S	Bushing, Plastic
23	784-5178A	1	/P	Upper Chute Crank Brkt.
24	784-5344	1		Chute Crank